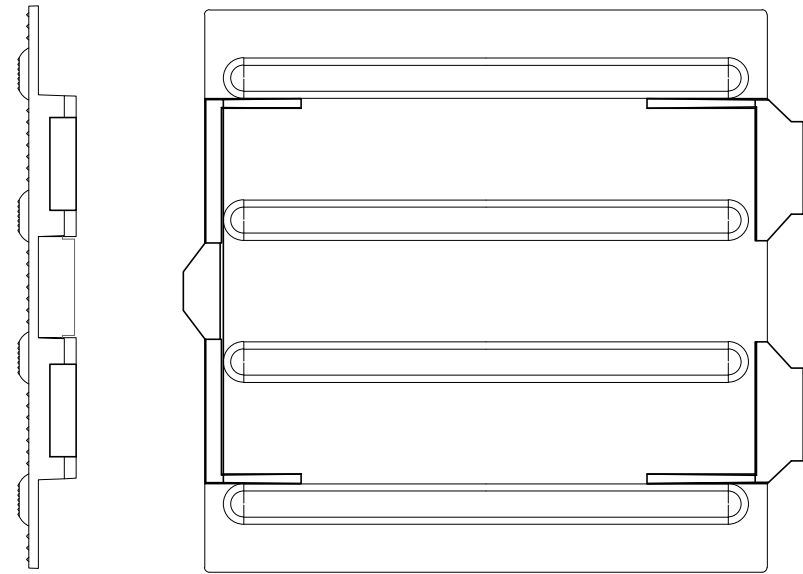
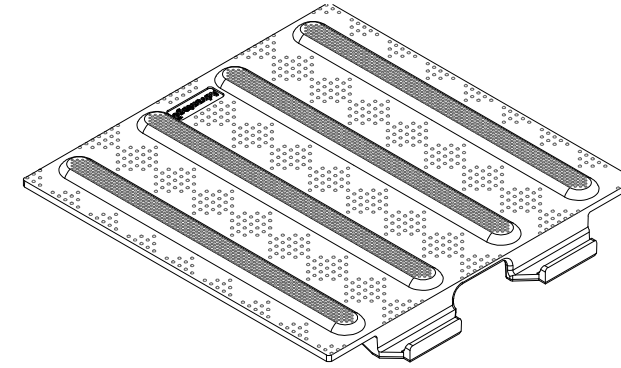


TOP PLAN VIEW

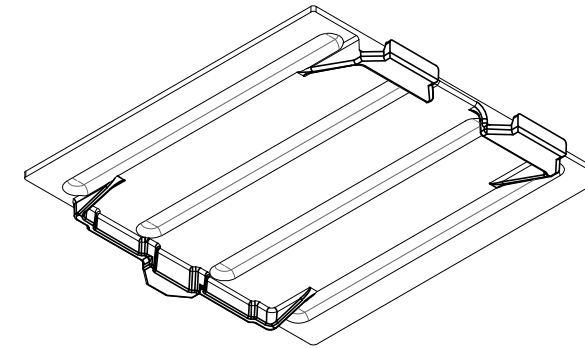


SIDE VIEW

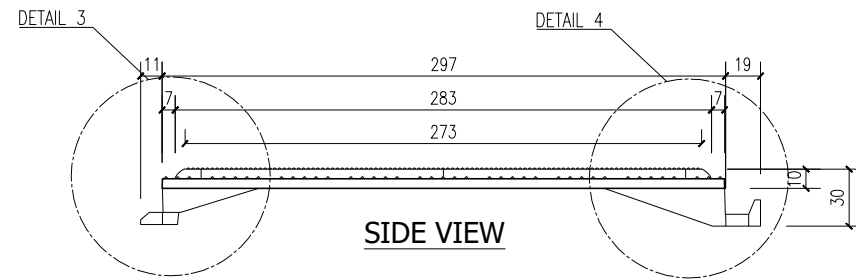
BOTTOM PLAN VIEW



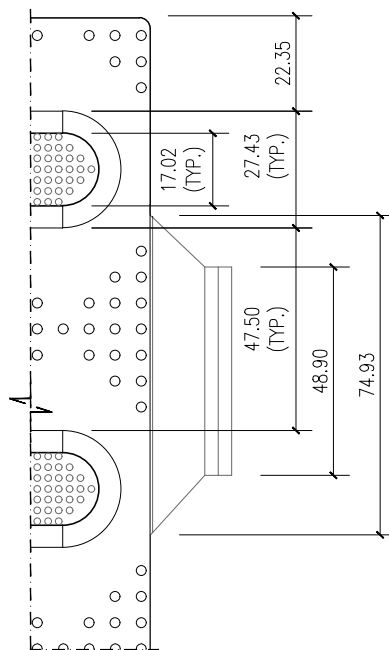
ISOMTERIC TOP VIEW



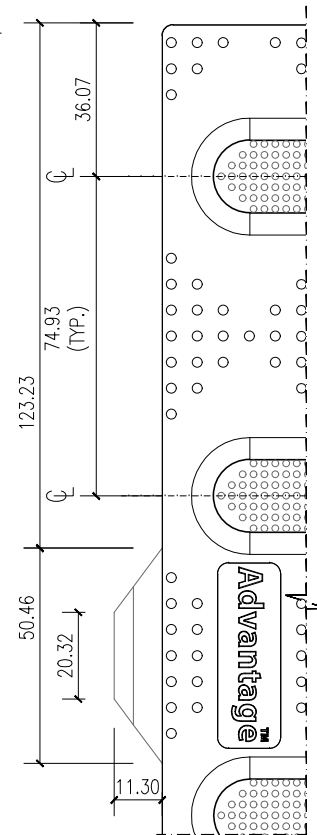
ISOMTERIC BOTTOM VIEW



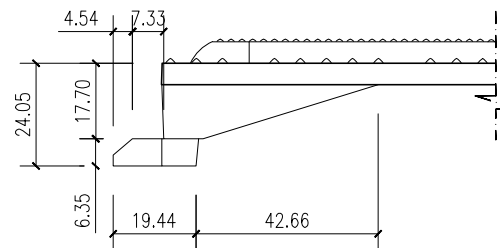
SIDE VIEW



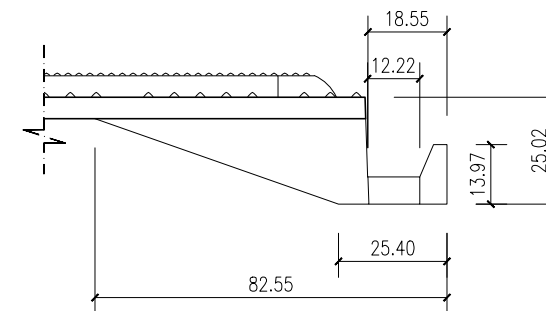
DETAIL 1



DETAIL 2



DETAIL 3



DETAIL 4



ENGINEERED PRODUCTS

www.kinesik.ca

COPYRIGHT © KINESIK ENGINEERED PRODUCTS

CONFIDENTIAL AND PROPRIETARY DOCUMENT
REGISTERED TRADEMARKS AND PATENTS ARE
PROPERTY OF KINESIK ENGINEERED PRODUCTS
INCORPORATED.

PATENTS PENDING, ALL RIGHTS RESERVED

ITEM	DESCRIPTION	PART NO.	QTY
1	CAST IRON BAR TWSI PLATE	ADV-CIB-12X12	1

REFERENCE DRAWINGS

DWG. NO.	DESCRIPTION

3			
2			
1			
0			
NO.	DATE	REVISION	APPR.

SCALE

N.T.S.

DESIGNED	K.S.	DATE	09/28/2020
DRAWN	M.T.	DATE	10/01/2020
CHECKED BY:	I.W.	DATE	10/01/2020

PROJECT MANAGER	
TRADE	TWSI
PART NO.	ADV-CIB-12X12

MATERIAL
GREY CAST IRON / ASTM A48 CLASS 35B

SUBJECT
Advantage[®]

PROJECT
ADVANTAGE BAR CAST IRON
TACTILE WALKING SURFACE INDICATOR PLATE
295mm [12"] x 295mm [12"]

DRAWING NO.	ADV-CIB-12X12	REV. NO.	0
-------------	---------------	----------	---